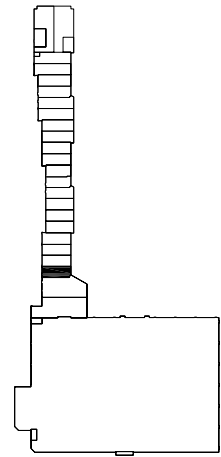
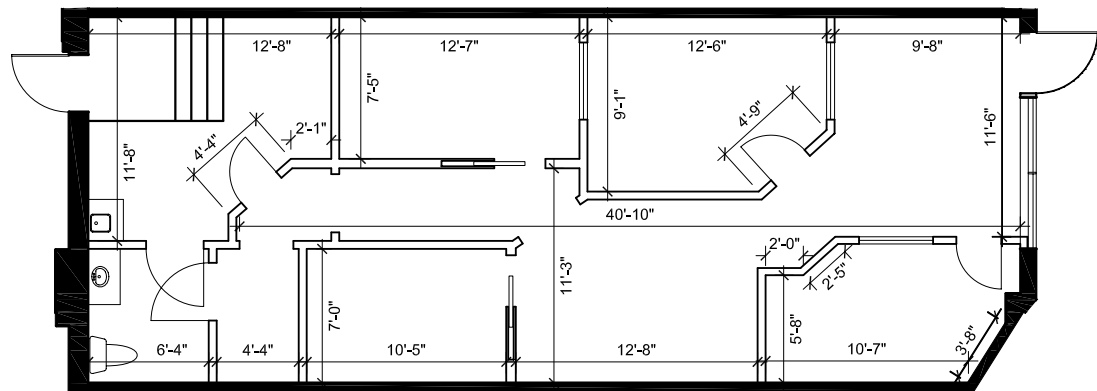


Retail - Floor Plan

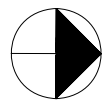


KEYPLAN



UNIT 23
RENTABLE AREA = 986 SF

ABOVE INFORMATION ESTABLISHED ACCORDING
TO THE BOMA / SIOR INDUSTRIAL STANDARD



LOCATION:

16635 Yonge St.
Town of Newmarket

North-east corner of Yonge St. & Mulock Dr.



FOR MORE INFORMATION, PLEASE CONTACT:

Antoinette Grossi
Director of Leasing

905.669.9714
agrossi@metrusproperties.com