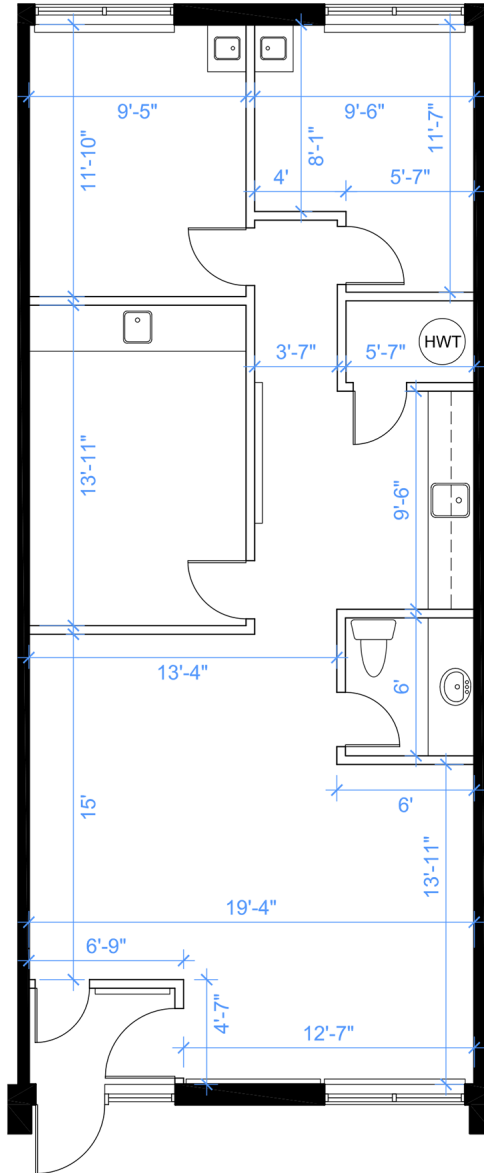


Office - Floor Plan



UNIT 3
RENTABLE AREA = 960 SF
RENTABLE AREA PROVIDED BY METRUS

LOCATION:

2318 Dunwin Dr.

City of Mississauga

South of Erin Mills Pkwy North of Dundas St. West



FOR MORE INFORMATION, PLEASE CONTACT:

Gabrielle Mair
Vice President Leasing

905.669.9714
gmair@metrusproperties.com