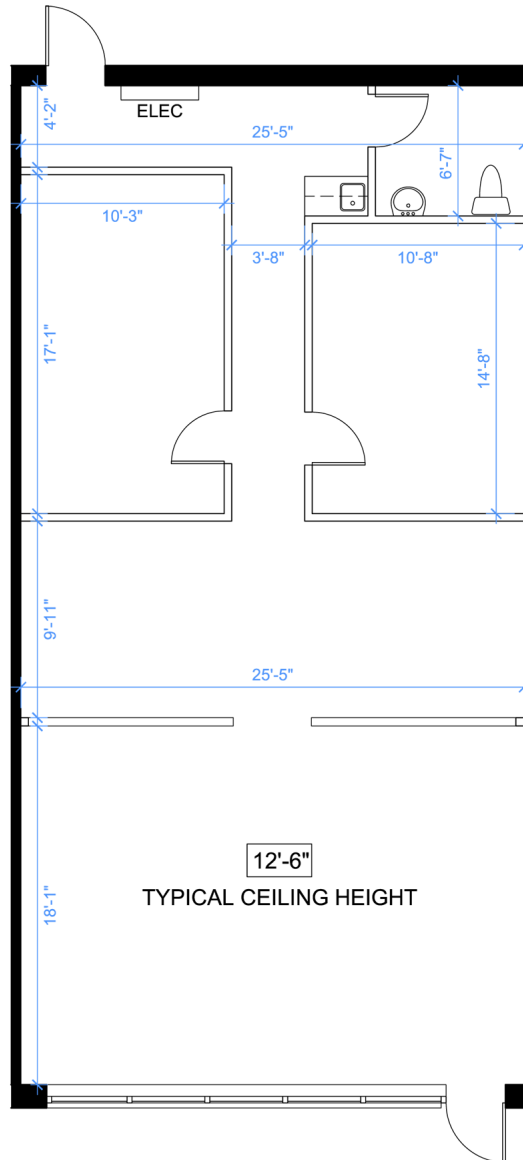


# Retail - Floor Plan



**UNIT 6**  
**RENTABLE AREA = 1,414 SF**  
RENTABLE AREA PROVIDED BY METRUS

LOCATION:

**1530 Major MacKenzie Dr.**  
**City of Vaughan**



FOR MORE INFORMATION, PLEASE CONTACT:

**Antoinette Grossi**  
Director of Leasing

**905.669.9714**  
[agrossi@metrusproperties.com](mailto:agrossi@metrusproperties.com)